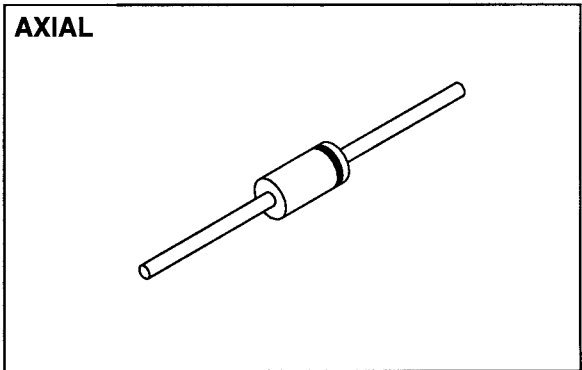


**SPD0801  
 thru  
 SPD1001**

**Designer's Data Sheet**

- FEATURES:**
- PIV to 100 Volts
  - Extremely Low Forward Voltage Drop
  - Low Reverse Leakage Current
  - High Surge Capacity
  - High Voltage Replacement for:
    - 1N5817-1N5819 Series
  - Surface mount versions available
  - TX, TXV and Space Level Screening Available

**1 AMP  
 80-100 VOLTS  
 SCHOTTKY  
 RECTIFIER**



**MAXIMUM RATINGS**

| RATING  | SYMBOL                     | VALUE           | UNIT  |
|---|----------------------------|-----------------|-------|
| <b>Peak Repetitive Reverse and DC Blocking Voltage</b><br><br>SPD0801<br>SPD0901<br>SPD1001   | VRRM<br><br>VRWM<br><br>VR | 80<br>90<br>100 | Volts |
| <b>Average Rectified Forward Current</b><br>(Resistive Load, 60Hz, Sine Wave, TA=25°C)  | IO                         | 1               | Amps  |
| <b>Peak Surge Current</b><br>(8.3 ms Pulse, Half Sine Wave Superimposed on IO, allow junction to reach equilibrium between pulses, TA=25°C) | IFSM                       | 40              | Amps  |
| <b>Operating and storage temperature</b>  | Top & Tstg                 | -55 to +125     | °C    |
| <b>Maximum Thermal Resistance</b><br>Junction to Lead, L=3/8"   | RθJL                       | 46              | °C/W  |

NOTE: All specifications are subject to change without notification. SSD's for these devices should be reviewed by SSDI prior to release.

**DATA SHEET#: RS0115 B**

**RMD**

**SPD0801  
thru  
SPD1001**

PRELIMINARY



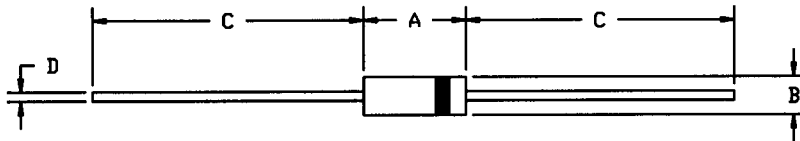
**SOLID STATE DEVICES, INC**

14849 Firestone Boulevard · La Mirada, CA 90638  
Phone: (714) 670-SSDI (7734) · Fax: (714) 522-7424

**ELECTRICAL CHARACTERISTICS**

| CHARACTERISTICS   | SYMBOL    | MAXIMUM      | UNIT |
|---|-----------|--------------|------|
| <b>Instantaneous Forward Voltage Drop</b><br>(IF = 0.5 Adc, TA=25°C, 300µs Pulse)<br>(IF = 1 Adc, TA=25°C, 300µs Pulse) | <b>VF</b> | 0.75<br>0.95 | Vdc  |
| <b>Instantaneous Forward Voltage Drop</b><br>(IF = 1 Adc, TA= - 55°C, 300µs Pulse)                                      | <b>VF</b> | 1.0          | Vdc  |
| <b>Reverse Leakage Current</b><br>(Rated VR, TA=25°C, 300µs pulse minimum)  | <b>IR</b> | 200          | µA   |
| <b>Reverse Leakage Current</b><br>(Rated VR, TA=100°C, 300µs pulse minimum)   | <b>IR</b> | 10           | mA   |
| <b>Junction Capacitance</b><br>(VR = 10 Vdc, TA=25°C, f= 1 MHz )  | <b>CJ</b> | 30           | pf   |

**CASE OUTLINE:**



NOTE: Lead diameter is not controlled within .050" of the diode body.

| DIMENSIONS |       |       |
|------------|-------|-------|
| DIM        | MIN.  | MAX.  |
| <b>A</b>   | .160" | .205" |
| <b>B</b>   | .080" | .107" |
| <b>C</b>   | 1.00" | ---   |
| <b>D</b>   | .028" | .032" |

**TYPICAL OPERATING CURVES**

(TA=25°C unless otherwise specified)

